



ANALYTIC SYSTEMS

Power Conversion Solutions

INSTALLATION & OPERATION MANUAL

BCD301 SERIES BCD601 SERIES Battery Equalizer



An ISO9001 and AS9100 Registered Company Battery Chargers • Inverters • Power Supplies • Voltage Converters

8128 River Way, Delta B.C. V4G 1K5 Canada T. 604.946.9981 F. 604.946.9983 TF. 800.668.3884 (US/CANADA)

www.analyticsystems.com



ANALYTIC SYSTEMS

Power Conversion Solutions

Copyright (2005-2016) Analytic Systems Ware (1993) Ltd.

Revised - May 19, 2016



IMPORTANT & SAFETY INSTRUCTIONS

SAVE THESE INSTRUCTIONS — This manual contains important safety and operating instructions for the battery charger.

ALL BATTERY CHARGERS

1. **CAUTION** — To reduce risk of injury, charge only lead acid or sealed gel cell type rechargeable batteries. Other types of batteries may burst causing personal injury and damage.
2. Do not expose battery charger to rain or snow.
3. Use of an attachment not recommended or sold by the battery charger manufacturer may result in a risk of fire, electric shock, or injury to persons.
4. Do not disassemble battery charger; take it to a qualified serviceman when service or repair is required. Incorrect reassembly may result in a risk of electric shock or fire.
5. To reduce risk of electric shock, disconnect battery charger from batteries or other DC supply before attempting any maintenance or cleaning. Turning off controls will not reduce this risk.

GENERAL WARNING

1. **WARNING** — RISK OF EXPLOSIVE GASES.
 - i. i) **WORKING IN VICINITY OF A LEAD-ACID BATTERY IS DANGEROUS. BATTERIES GENERATE EXPLOSIVE GASES DURING NORMAL BATTERY OPERATION. FOR THIS REASON, IT IS OF UTMOST IMPORTANCE THAT EACH TIME BEFORE SERVICING EQUIPMENT IN THE VICINITY OF THE BATTERY, YOU READ THIS MANUAL AND FOLLOW THE INSTRUCTIONS EXACTLY.**
 - ii. ii) To reduce risk of battery explosion, follow these instructions and those published by battery manufacturer and manufacturer of any equipment you intend to use in vicinity of battery. Review cautionary marking on these products and on engine.
2. **PERSONAL PRECAUTIONS**
 - i. Someone should be within range of your voice or close enough to come to your aid when you work near a lead-acid battery.
 - ii. Have plenty of fresh water and soap nearby in case battery acid contacts skin, clothing, or eyes.
 - iii. Wear complete eye protection and clothing protection. Avoid touching eyes while working near battery.
 - iv. If battery acid contacts skin or clothing, wash immediately with soap and water. If acid enters eye, immediately flood eye with running cold water for at least 10 minutes and get medical attention immediately.



- v. NEVER smoke or allow a spark or flame in vicinity of battery or engine.
- vi. Be extra cautious to reduce risk of dropping a metal tool onto battery. It might spark or short-circuit battery or other electrical part that may cause explosion.
- vii. Remove personal metal items such as rings, bracelets, necklaces, and watches when working with a lead-acid battery. A lead-acid battery can produce a short-circuit current high enough to weld a ring or the like to metal, causing a severe burn.
- viii. NEVER charge a frozen battery.
- ix. If necessary to remove battery from service, always remove grounded terminal from battery first. Make sure all accessories in the vessels are off, so as not to cause an arc.
- x. Be sure area around battery is well ventilated.
- xi. Clean battery terminals. Be careful to keep corrosion from coming in contact with eyes.
- xii. Study all battery manufacturer's specific precautions such as removing or not removing cell caps while charging and recommended rates of charge.
- xiii. Add distilled water in each cell until battery acid reaches level specified by battery manufacturer. This helps purge excessive gas from cells. Do not overfill. For a battery without cell caps, carefully follow manufacturer's recharging instructions.

3. BATTERY CHARGER LOCATION

- i. Never place battery charger directly above battery; gases from battery will corrode and damage battery charger.
- ii. Never allow battery acid to drip on battery charger when reading gravity or filling battery.

4. DC CONNECTION PRECAUTIONS

- i. Connect and disconnect DC output connections only after setting battery charger switch to off position.

Analytic Systems does not recommend the use of the BCD301 Series DC Battery Chargers in life support applications where failure or malfunction of this product can be reasonably expected to cause failure of the life support device or to significantly affect its safety or effectiveness. Analytic Systems does not recommend the use of any of its products in direct patient care.

Examples of devices considered to be life support devices are neonatal oxygen analyzers, nerve stimulators (whether used for anesthesia, pain relief, or other purposes), autotransfusion devices, blood pumps, defibrillators, arrhythmia detectors and alarms, pacemakers, hemodialysis systems, peritoneal dialysis systems, neonatal ventilator incubators, ventilators for both adults and infants, anesthesia ventilators, and infusion pumps as well as any other devices designated as "critical" by the U.S. FDA.



Introduction

The BCD301-24-12 Battery Equalizer safely permits 12 volts to be drawn from a 24 volt battery bank.

As shown in the installation diagram, the unit is connected across the 24 volt battery bank and its output is connected to the 12 volt midpoint of the battery bank. 12 volt loads may now be connected to the lower battery, and providing the average load is less than the output capacity of the battery equalizer, both batteries will be maintained at the correct voltage. If a greater capacity is required the units may be paralleled or the BCD601-24-12 may be used instead.

The way that these units work is that the output is set to exactly $\frac{1}{2}$ of the input voltage. As load on the lower battery is applied, the unit takes current from the upper battery and feeds it to the lower battery to keep each at exactly $\frac{1}{2}$ of the total voltage. The units are compatible with all 24V battery chargers and alternators.

The benefit of using a Battery Equalizer is to simplify the electrical wiring on a vessel and eliminate the need for a separate 12V battery.

Specifications

Model	BCD301-24-12	BCD601-24-12
Input Voltage	20 - 30 VDC	
Input Amps	15 Max	30 Max
Output Voltage	Vin / 2 VDC	
Charging Current	25 Amps	50 Amps
Output Crowbar	16.0 ± 0.5 V	
Input Fuse	AGC 25 Amp	2 x AGC 25 Amp
Output Fuses	AGC 30 Amp x 2	
Battery Banks	1	
Stages	2	
Battery Size (Amp Hours)*	100 - 150	200 – 300
Noise on Input	< 10 milli-volts	
Noise on Output	< 10 milli-volts	
Transient Response	< 1V for 50% Surge	
Efficiency	> 85 % @ maximum output	
Temperature Range	-25 to +40 deg C @ maximum output	
Isolation	Any Input or Output to Case 500VDC Input to Output common negative	
Length	9.1 in / 23.1 cm	
Width	7.8 in / 19.8 cm	
Height	2.5 in / 6.4 cm	4.3 in / 10.9 cm
Clearance	1 Inch (2.5 cm) all around	
Material	Marine Grade Aluminum	
Finish	Black Powder Epoxy	
Fastenings	18-8 Stainless	
Weight	4.0 lb / 1.8 kg	6.0 lb / 2.7 kg

* This is Analytic Systems' suggested range. Please consult your battery manufacturer for their recommendations.

* Specifications subjects to change without notice.

Designed and manufactured by: **ANALYTIC SYSTEMS WARE (1993) LTD.**

8128 River Way
Delta, BC V4G 1K5 Canada
www.analyticsystems.com

p. 604.946.9981 f. 604.946.9983
tf. 800.668.3884 US/Canada
info@analyticsystems.com



Installation

Allow at least 1 inch of clearance all around the case for cooling. The best mounting configuration is to mount the unit on a vertical surface oriented as shown. Use #10 screws of the appropriate type for the mounting surface to securely mount the unit. The unit should be connected to your system as per the drawing on the right.

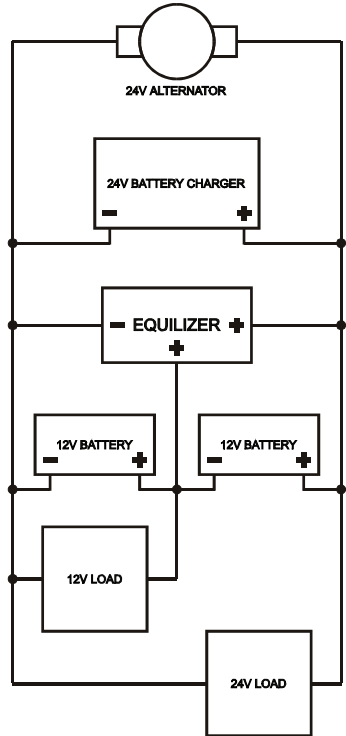
See the following page for detailed hook up instructions.

The case has 500 volts of isolation from both the input and output, so it may be mounted on any surface without fear of electrolysis or ground fault.

The unit is supplied with 1 metre (3 feet) of #10 AWG wire. This should be adequate to connect to a breaker panel or other source of power. If you need to extend the wires, use at least #10 AWG wire and solder and heat shrink the connection to protect the joint. Connect the Red wire(s) to Positive, and the Black wire(s) to Negative. , use a 30 amp panel breaker to feed power to it.

To reduce radio noise to the absolute minimum, it may be necessary to bond the case to the vessel ground. To do this, remove one of the screws that mounts the output terminal strip to the chassis. Then place a #6 ring terminal with a ground wire crimped to it under the screw head, and replace the screw.

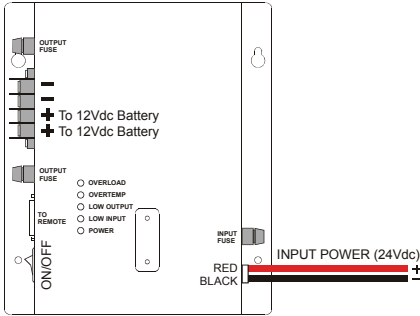
It is recommended to keep all wiring as short as possible to keep the line losses to a minimum.





Hook Up Instructions:

You can ONLY connect one bank of batteries to the unit. Connect both the '+' outputs of the unit to the positive lead of the 12 Volt battery in the 24 Volt battery bank (see diagram on previous page). It is not necessary to connect the '-' output of the unit to the negative lead of

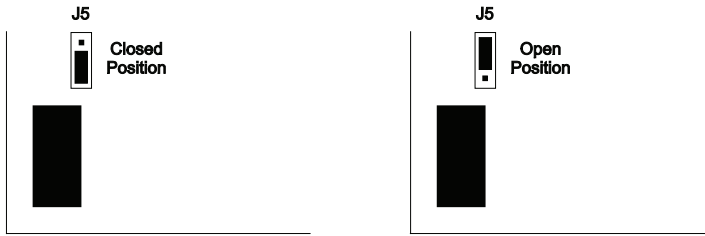


the battery bank as the negative input and output connections are internally connected. If you accidentally connect a battery in reverse, the output fuses (AGC 30) will blow. If this happens, correct the connection of the battery, confirm it with a voltmeter, and then replace the fuse. Connect the black '-' input wire to your system as is shown in the drawing on the previous page.

Operation

To turn the unit on, simply move the power switch to the ON position. The alarm buzzer will sound and the Low Input LED will come on briefly, and then the green Output ON LED will illuminate.

When the unit is first turned on, it will charge the batteries at a constant current of up to 25 or 50 amps depending on the depth of discharge of the battery bank. During this time, the red 'Charging' LED will be on. If the batteries are seriously discharged, the 'Low Output' LED and the audible alarm will also come on. After a period of time, which may be minutes to hours, the batteries will reach the float voltage, and the charging current will reduce as necessary to maintain the batteries at that voltage. Once this happens, the red 'Charging' LED will go off. You may now check the float voltage at the output terminals of the unit with a good digital voltmeter. The float voltage should be one half of the float voltage from your charger. Please note that the battery equalizer will work with or without your battery charger hooked up. It will maintain the lower half (12 Vdc) of the battery bank at the same state of charge as the upper half of the 24 Vdc battery bank.



Dry Contact Relay

The dry contact relay will change state to indicate that there is not output from the charger. To use your dry contact output fail relay you must connect a 9-pin D connector to the unit. You must use pins one and six as is indicated on page 7 in the remote connector schematic.

The relay is factory preset to fail in the closed position when the low output LED and buzzer come on. If you wish to have the relay fail in the open position when the low output LED and buzzer come on, you must take the cover off the unit and move the jumper to the other position on J5. J5 is located next to the relay.

To change the position of the jumper, first turn the unit off and disconnect the unit from both the power and batteries. Next, turn the unit on for 30 seconds to discharge the capacitors, then turn it off again. Turn the unit upside down and remove the four screws. Remove the cover and locate J5. It will be next to the relay as is shown in the above diagram. Simply move the jumper to the desired position as is shown in the above diagram. Replace the cover and re-install the four screws. Reconnect the unit to the power and batteries.

Troubleshooting

If the red Over-temperature LED and the audible alarm come on, the unit has overheated, and it will shut down until it cools off sufficiently. You may not have allowed sufficient space around the unit for cooling, or there may be too many devices connected to the output of the unit. Either reduce the number of devices connected to the unit, or reposition the unit for better cooling. If necessary, direct a stream of moving air over the unit.

If the yellow Low Input LED comes on, the input voltage has dropped below 19 VDC. To keep from completely discharging the batteries (if the battery charger is being operated from batteries), the unit will shut down until the voltage recovers to 21 VDC. Make sure that the charging system is operating properly, and that the wires connecting the input voltage to the unit are not corroded or damaged.

If the red Charging LED, the Low Output LED and the audible alarm come on, and the green Output On LED is completely off, the output of the unit has been shorted out, or there has been an internal failure. Turn the unit off, disconnect the charging battery bank(s) connected to it, and turn it back on again. If it comes on normally, then either one of the battery banks or the output connections have become shorted. To determine the cause of the fault, first check to be sure that the output terminals are not shorted, then reconnect the battery banks one at a time to see which battery bank is the cause of the fault. If one of the battery banks is the cause of the short it must be replaced. If the condition still exists even after the battery banks have been disconnected, the unit is defective, and must be returned to the factory or an authorized service center for repair.

If the unit will not turn on at all, check the input fuse. If it is blown, replace it with a new one. If that fuse blows as well or the unit still will not turn on, it is defective, and must be returned to the factory or an authorized service center for repair.

If the green 'Output On' LED is on, but there is no voltage at the output terminals, check the output fuses. If they are blown, replace them with AGC 30A fuses. If there is still no voltage at the terminals, the unit is defective, and must be returned to the factory or an authorized service center for repair.

Remote Control Option

A remote control panel may be connected to the inverter using a 9-pin D-connector, which attaches to the front panel of the battery charger. The remote control panel and D connector are part of the remote control option. The remote control panel allows the unit to be operated remotely as well as duplicating all the diagnostic indicators and audible alarm.



IMPORTANT: This remote is to be used only on Battery Chargers manufactured by Analytic Systems.

REMOTE CONNECTOR

This connector is located on the side of the unit. Important: To prevent the possibility of High Voltage Electrical Shock, do not power up the battery charger unless all wiring from the unit to the remote is securely connected. Do not remove the dust cover from the DB-9 connector if the remote is not being used.



Limited Warranty

1. The equipment manufactured by Analytic Systems Ware (1993) Ltd. (the "Warrantor") is warranted to be free from defects in workmanship and materials under normal use and service.
2. This warranty is in effect for:
 - a. 3 Years from date of purchase by the end user for standard products offered in our catalog.
 - b. 2 Years from date of manufacture for non-standard or OEM products
 - c. 1 Year from date of manufacture for encapsulated products.
3. Analytic Systems will determine eligibility for warranty from the date of purchase shown on the warranty card when returned within 30 days, or
 - a. The date of shipment by Analytic Systems, or
 - b. The date of manufacture coded in the serial number, or
 - c. From a copy of the original purchase receipt showing the date of purchase by the user.
4. In case any part of the equipment proves to be defective, the Purchaser should do the following:
 - a. Prepare a written statement of the nature of the defect to the best of the Purchasers knowledge, and include the date of purchase, the place of purchase, and the Purchasers name, address and telephone number.
 - b. Call Analytic Systems at 800-668-3884 or 604-946-9981 and request a return material authorization number (RMA).
 - c. Return the defective part or unit along with the statement at the Purchasers expense to the Warrantor; Analytic Systems Ware (1993) Ltd., 8128 River Way, Delta, B.C., V4G 1K5, Canada.
5. If upon the Warrantor's examination the defect proves to be the result of defective material or workmanship, the equipment will be repaired or replaced at the Warrantor's option without charge, and returned to the Purchaser at the Warrantor's expense by the most economical means. Requests for a different method of return or special handling will incur additional charges and are the responsibility of the Purchaser.
6. Analytic Systems reserves the right to void the warranty if:
 - a. Labels, identification marks or serial numbers are removed or altered in any way.
 - b. Our invoice is unpaid.
 - c. The defect is the result of misuse, neglect, improper installation, environmental conditions, non-authorized repair, alteration or accident.
7. No refund of the purchase price will be granted to the Purchaser, unless the Warrantor is unable to remedy the defect after having a reasonable number of opportunities to do so.
8. Only the Warrantor shall perform warranty service. Any attempt to remedy the defect by anyone else shall render this warranty void.
9. There shall be no warranty for defects or damages caused by faulty installation or hook-up, abuse or misuse of the equipment including exposure to excessive heat, salt or fresh water spray, or water immersion except for equipment specifically stated to be waterproof.
10. No other express warranty is hereby given and there are no warranties that extend beyond those described herein. This warranty is expressly in lieu of any other expressed or implied warranties, including any implied warranty of merchantability, fitness for the ordinary purposes for which such goods are used, or fitness for a particular purpose, or any other obligations on the part of the Warrantor or its employees and representatives.
11. There shall be no responsibility or liability whatsoever on the part of the Warrantor or its employees and representatives for injury to any person or persons, or damage to property, or loss of income or profit, or any other consequential or resulting damage which may be claimed to have been incurred through the use or sale of the equipment, including any possible failure of malfunction of the equipment, or part thereof.
12. The Warrantor assumes no liability for incidental or consequential damages of any kind



ANALYTIC SYSTEMS

Power Conversion Solutions

An ISO9001 and AS9100 Registered Company Battery Chargers • Inverters • Power Supplies • Voltage Converters

8128 River Way, Delta B.C. V4G 1K5 Canada T. 604.946.9981 F. 604.946.9983 TF. 800.668.3884 (US/CANADA)

www.analyticsystems.com