



ANALYTIC SYSTEMS

Power Conversion Solutions

#207 12448 82nd Ave.
Surrey, BC V3W 3E9 CANADA

+1 (604) 543-7378 · phone
1-800-668-3884 · toll free
+1 (604) 543-7354 · fax

www.analyticsystems.com



Benefits

- Ultra-Quiet
- Power sensitive electronics without interference
- Rugged & Reliable
- Ensure years of safe and trouble free operation

Applications

- Oil Patch
- Mobile Offices (TV and Radio Vans)
- Marine / Automotive / RV
- Industrial Controls (OEM Applications)
- Field Work / Construction Sites
- Solar / Alternative Power Systems
- Run any 12V Equipment

DC/DC Converters

VTC60 Series DC/DC Converters

Description

The VTC60-24-12 Voltage Converter supplies 12 Volts DC from a 24 VDC battery system at up to 7 amps.

Designed for use in heavy equipment, marine, industrial, or alternative energy environments, the state-of-the-art switchmode design offers high reliability and efficiency in a very small package. They are rugged, easy to use and very economical.

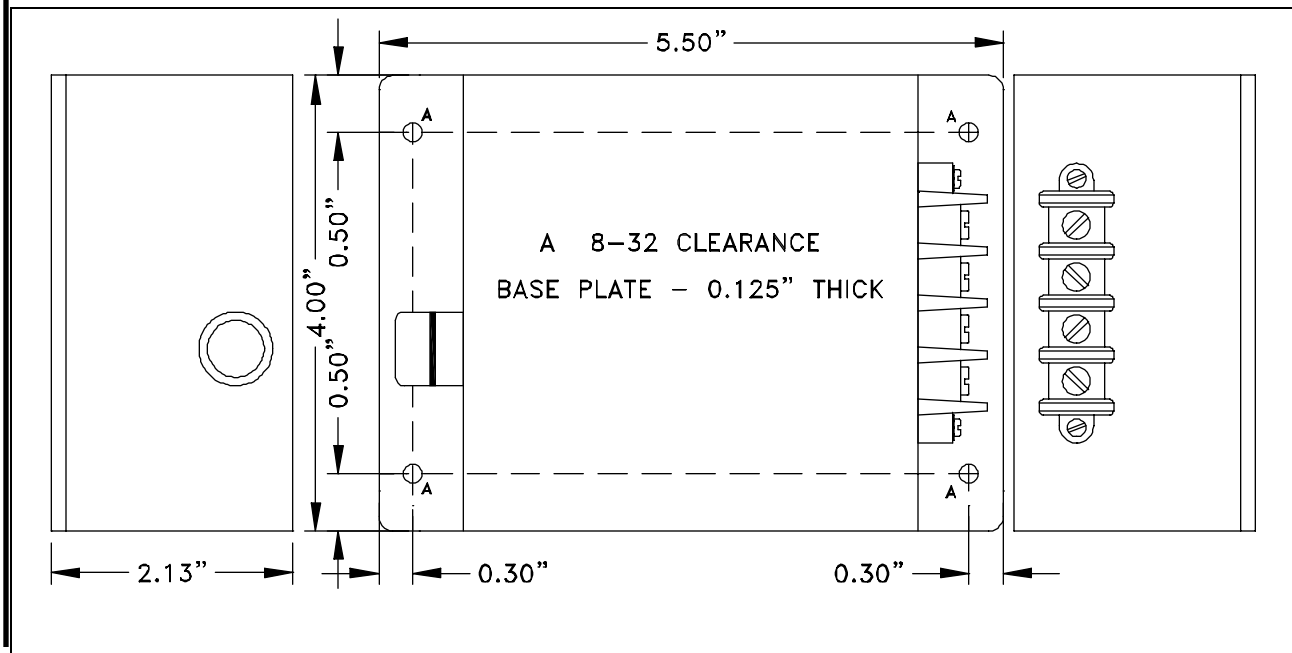
An optional remote on/off feature is available to allow the supply to be turned on or off from a remote location or in sync with other controls.

Features

- Input voltage range allows operation from 24 or 28 volt batteries
- Reverse input protection
- Extremely rugged and well suited for marine and other demanding environments
- High tolerance for shock and vibration
- Short circuit protection
- Output over-voltage crowbar
- Inrush Current Limiting
- Wide operating temperature range
- Remote On-Off version available (call factory for details)
- Wide-Temperature operation Available
- Potting to Class 1, Div 2 Standards available
- Conformal Coating and/or Harsh Environment Ruggedization Available
- 3 year parts and labour warranty

VTC60 Series DC/DC Voltage Converter

Mechanical Diagram



Specifications

Electrical (Input)

Model Number	VTC60-24-12
Input Volts (DC)	20 - 35
Input Amps (max)	5.4
Input Fuse (AGC)	6
Noise on Input	< 10 mV

Environmental Specifications

Operating Temp. Range	-25° to +40°C @ maximum output Derate Linearly 2.5% per °C from 40°C (Optional -40°C extra wide temp. operation avail.)
Humidity	0 - 95°C Relative Humidity (non-condensing) with optional conformal coating
Audible Noise	NONE Ødb @ 3 ft
Typical Service Life	> 10 yrs. (87,600 hrs)
Isolation	Any Input or Output to Case 500 VDC Input to Output - Common Negative

Electrical (Output)

Output Nominal (op)	12
Output Volts (DC)	13.6
Output Amps	5 cont. / 7 peak
Output Adjustment	± 0.5
Output Crowbar	16.0 ± 0.5V
Output Ripple & Noise	< 10 mV
Transient Response	< 1V for 2.5A Surge
Regulation (Line & Load)	< +/- 0.5%
Duty Cycle	Peak 20% for 10 min maximum Continuous 100% for 24 hours per day
Efficiency	> 88% @ Maximum Output

Mechanical Specifications

Length	5.5 in / 14.0 cm
Width	4.0 in / 10.2 cm
Height	2.1 in / 5.3 cm
Material	Marine Grade Aluminium
Finish	Black Anodize / Powder Epoxy Coat
Fastenings	All 18-8 Stainless Steel
Weight	0.8 lb / 0.4 kg
Connections	Four contact output terminals
Warranty	3 years

Available From:



ANALYTIC SYSTEMS
Quality since 1976

#207 12448 82nd Ave.
Surrey, BC V3W 3E9 CANADA
+1 (604) 543-7378 • phone
1-800-668-3884 • toll free
+1-604-543-7354 • fax
www.analyticsystems.com